

SFIBRAL

Fiber cement panels

Exterior



www.sfibral.com

Fiber cement panels with enhanced performance and aesthetics

For the past 25 years, our team has been tirelessly enhancing the potential of fiber cement. As solutions developers and product manufacturers, we are committed to meeting the complex challenges of the construction industry.

Our products are all compliant with the EN 12467 standard. SFIBRAL solutions provide architects with the freedom to choose any color or shape of a panel. Construction companies benefit from an easy and reliable installation process. We also offer competitiveness for developers and investors, thanks to the sustainability, longevity, and resilience of SFIBRAL products.

Exterior products

SFIBRAL exterior panels excel with exceptional resistance against weathering, ensuring durability and aesthetic appeal in even very harsh climatic conditions.

SFIBRAL Grey, SFIBRAL Color, SFIBRAL Structure, SFIBRAL Spectrum panels are air cured (not autoclaved) and can be coated in most RAL and NCS colors, which gives architects freedom to design and allows a cost-effective and efficient implementation of the architectural vision of the building.



FIRE
RESISTANT



UV
STABLE



HIGH
RISES



SCRATCH
RESISTANT



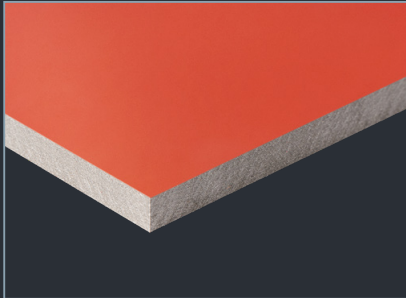
HUMIDITY
RESISTANT



FULL
SOLUTION
SUPPLY

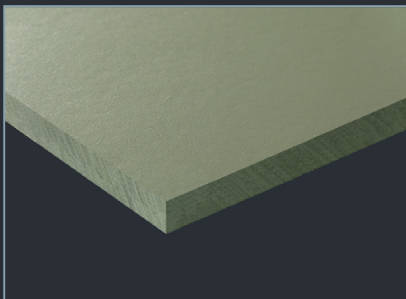
Exterior products

SFIBRAL panels for a functional and efficient rear ventilated facade excel with exceptional resistance, ensuring durability and aesthetic appeal in even harsh conditions.



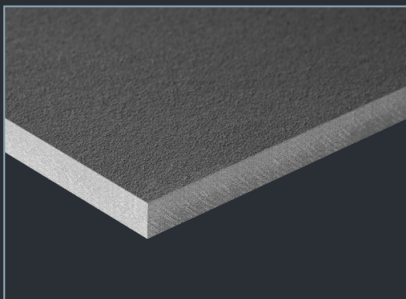
SFIBRAL Grey

Naturally hardened grey base fiber cement panel with a smooth opaque acrylic coating.



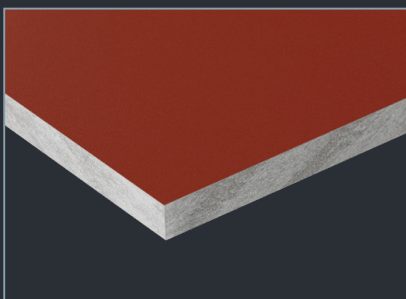
SFIBRAL Color

Naturally hardened through-colored fiber cement panel with a smooth opaque acrylic coating.



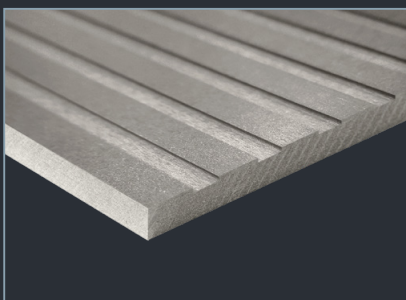
SFIBRAL Structure

Naturally hardened grey base fiber cement panel with a grained opaque acrylic coating.



SFIBRAL Spectrum

Naturally hardened grey base fiber cement panel with a smooth matt opaque acrylic coating.



SFIBRAL Linos

Through-colored autoclaved fiber cement panel with a natural fiber cement surface and grooved finish.

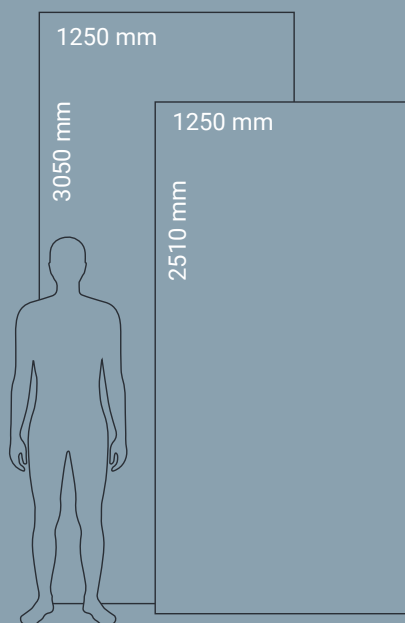
Technical characteristics and physical properties

According to standard EN 12467

	SFIBRAL Grey	SFIBRAL Structure	SFIBRAL Color	SFIBRAL Spectrum	SFIBRAL Linos
Dimensions (trimmed)	3050x1250 mm 2510x1250 mm	3050x1250 mm 2510x1250 mm	3050x1250 mm 2510x1250 mm	3070x1220 mm 2520x1220 mm	3050x1250 mm 2500x1250 mm
Thickness	8 / 6 mm	8 mm	8 mm	8/10 mm	10/12 mm
Weight (kg)	15.6 (8 mm) 11.7 (6 mm)	15.6	15.6	16.1 (8 mm)	18.0 (10 mm) 21.6 (12 mm)
Density (kg/m³)	≥1650	≥1650	≥1650	≥1700	1600 ± 50
Bending strength MOR (MPa)	20/28 transverse/ longitudinal	20/28 transverse/ longitudinal	15.9 / 22.2 transverse/ longitudinal	≥25 average	≥24 average
Compressive strength (MPa)	40	40	40	40	40
Young's modulus MOE (MPa)	15000	15000	15000	14000	n/a
Water absorption (%)	14	14	18	14	25
Temperature resistance (°C)	-60 / + 80	-60 / + 80	-60 / + 80	- 40 / + 80	n/a
Mechanical resistance	Class 4	Class 4	Class 4	Class 5	Class 5
Classification of the board according to EN 12467	NT A4 I	NT A4 I	NT A4 I	NT A5 I	NT A5 I
Fire resistance class	A2-S1, d0	A2-S1, d0	A2-S1, d0	A2-S1, d0	A2-S1, d0

Panels dimensions (trimmed)

SFIBRAL Grey /
SFIBRAL Structure /
SFIBRAL Color.



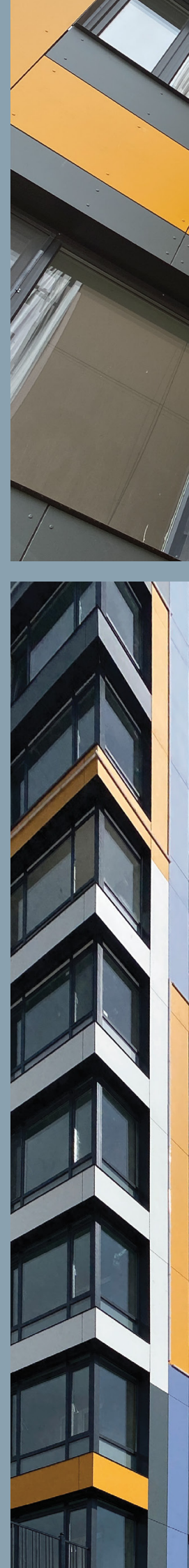
Choose the colors for your project

SFIBRAL color chart
+ most NCS and RAL colors.



**Our online
colorizer**

Scan & try



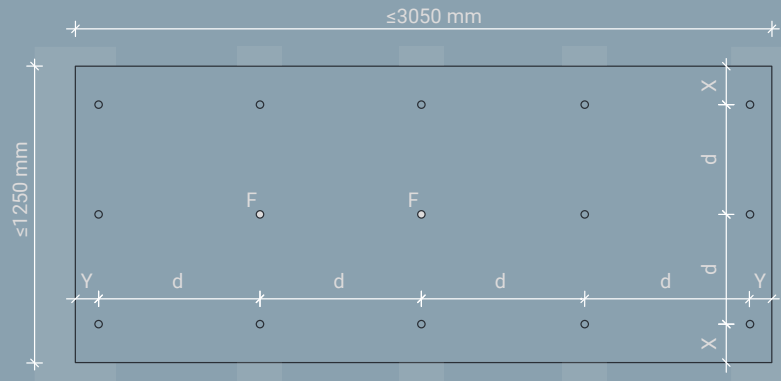






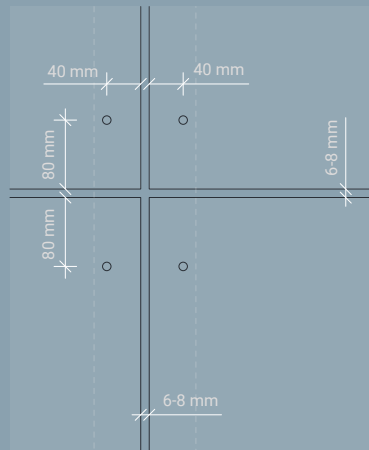
Standard installation scheme

Horizontal instalation view

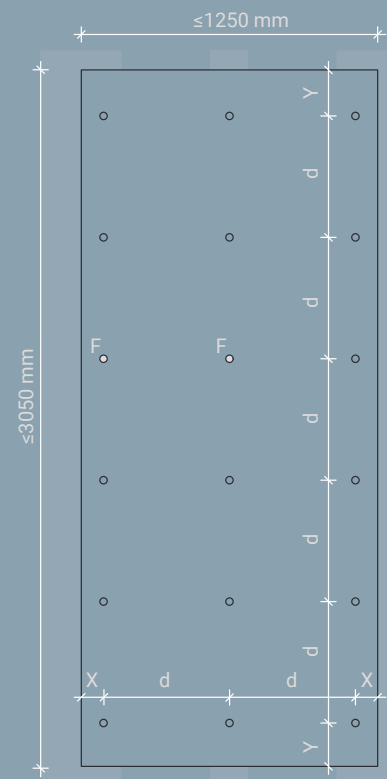


Edge distances

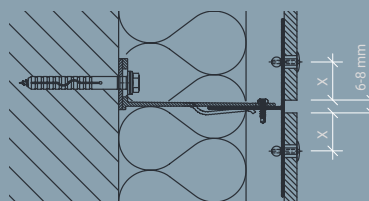
The gap between the panels is equal to the panel thickness (at 6 mm and 8 mm panels).



Vertical instalation view



Sectional view



- – Fixed point [F]
- – Sliding point
- X – 40 mm edge distance
- Y – 80 mm edge distance

d – max 600 mm spacing between carrier profiles and rivets

Concealed fastening with adhesive or undercut anchors also available.



Hassle-free solution



Full solution
supply



Consulting



Engineering
support



CNC
machining



Logistics

Order a sample to discover the exceptional price-quality ratio

+370 686 44 054

(Mobile/WhatsApp/Viber)

+49 176 30628338

(Mobile/WhatsApp/Viber)

info@sfibral.com

www.sfibral.com

Betono aklg. 16/16
LT-03153 Vilnius, Lithuania



www.sfibral.com